

*The Kedron Connection*  
**Kedron United Methodist Church**  
**6650 Kedron Church Road**  
**Smyrna, TN 37167**

**Phone (615) 223-7858**

**Website:**

**www.kedronumc.org**

**Facebook: Kedron UMC**

**Reverend Angela Hawkins, Pastor**

**Phone: (615) 554-4272**

**Email:angelamhawkins@gmail.com**

---

**Volume 12**

**March 2013**

**Issue 3**

---

*From Our Pastor*

As the things we would rather keep safely hidden bubble up beneath the surface of Lent, may we hear this prayer.

*Exposed to Mercy, Truth, and Newness*

(On reading Psalm 32)

We begin the new week toward you,  
from whom no secret can be hid. We have had a night,  
and a weekend,  
and a lifetime of secrets.

We have stored the usual list of secrets,  
of acres of guilt unforgiven,  
of desires too rich to utter.

Beyond that, we have a secret list of hurts,  
from ancient days with parents and siblings,  
from assorted bullies at playschool  
and in adult life;

some of us overly sensitive,  
all of us grown protective  
and capable of self-pity.

Beyond that, we have a secret list of hopes,  
some selfish and some noble,  
hopes of new freedom and new reconciliation,  
of new security and new recognition,  
of doing well and being well.

We have so much to keep hidden. And you know— you know  
because you made us and have watched us  
from the beginning;

you know because you see us in our waking and our sleeping;  
you know because you love us right through,  
all of our covert capacity.

And we yearn to be known—fully, without reserve by you:

So we ask on this day,  
courage to match your love,  
honesty to match your generosity,  
self-awareness to speak into your awareness of us.

That by the time the sun sets,  
we will have rent the curtain of our lives,  
and let you into the center of it all,  
there to abide in holy forgiveness.

We pray through your spirit of all truth  
that our truth opened to your mercy may make us free.

### **Men's Breakfast**

The monthly First-Saturday men's breakfast will be March 2. We will eat at 7:00 a.m.

### **Fellowship Supper**

Our First-Wednesday fellowship supper will be March 6. We will eat at 6:30 p.m.

### **Choir Practice**

We will continue to meet Sunday mornings at 9:15 in the fellowship hall. We will practice briefly after worship services. Until after Easter Sunday, we will practice at 10:00 a.m. on Saturdays except not on Saturday, March 23. We are practicing music for Easter Sunday. We would be happy to have some new singers.

### **Handwork Ministry**

The Handwork Ministry meets the third Wednesday of the month to knit and crochet. The March 20 meeting will be at Kedron at 9:30 a.m. Please plan to join us if you knit, crochet or would like to learn.

### **Bible Study**

The Bible Study led by Rev. Travis Perry continues. The group meets at Kedron on Tuesdays at 10:00 a.m.

### **Who Said This?**

"Remember how he told you, while he was still in Galilee, that the Son of Man must be handed over to sinners, and be crucified, and on the third day rise again."

-NRSV (hint, Luke)

### **Maundy Thursday**

This year Maundy Thursday is March 28. Our joint service with Lock's Memorial UMC will be at Kedron at 6:30 p.m.

### **Good Friday**

Our Good Friday service will be at Lock's Memorial UMC. We will begin at 6:30 p.m. on March 29.

### **Easter Sunrise Service**

We will begin Easter Day with a 6:30 a.m. service at Kedron. We will start the service at 6:30 a.m. on March 31.

### **Easter Day Sunday School and Morning Worship Service**

These will be at the usual times of Sunday School at 8:45 a.m. and morning worship service (with an Easter Day presentation by the choir) at 9:30 a.m.

### **Easter Egg Hunt**

Our children are invited to an Easter Egg Hunt at Kedron. The fun will begin at 9:30 a.m. on Saturday, March 30.

### **Bucket Offerings**

In March the offerings placed in the buckets carried by the children at Sunday morning worship will be contributed to the May mission trip organized and led by Ron Obenauf. The volunteers will be going to Louisiana to the UMCOR (United Methodist Committee on Relief) facility at Sager Brown.

### Laity Pancake Breakfast

The Rutherford County Laity Fellowship will sponsor a pancake breakfast on Saturday, March 23 at Fellowship UMC in Murfreesboro, 7:00 to 10:00 a.m. You can purchase tickets from Danny Fraley or at the door, adults \$5 & children \$3. The proceeds will support the group's outreach ministries.

### Food Bank

You may bring donations for the Smyrna/LaVergne Food Bank to the church the first and second Sundays of the month and they will be delivered to the Food Bank. The suggested item for March is peanut butter. However, any non-perishable foods are accepted. The need is great.

### Happy Birthday to:

Mary Ellen Vance	March 4
Tanner Stacey	March 5
Mitch Robinson	March 21
Lucas Pagello	March 22
Frank Pagello	March 25
Carol Dorn	March 31

### Happy Anniversary to:

Travis & Margaret Perry	March 16
Gaylord & Carol Dorn	March 19
James & Jeanne Neville	March 26

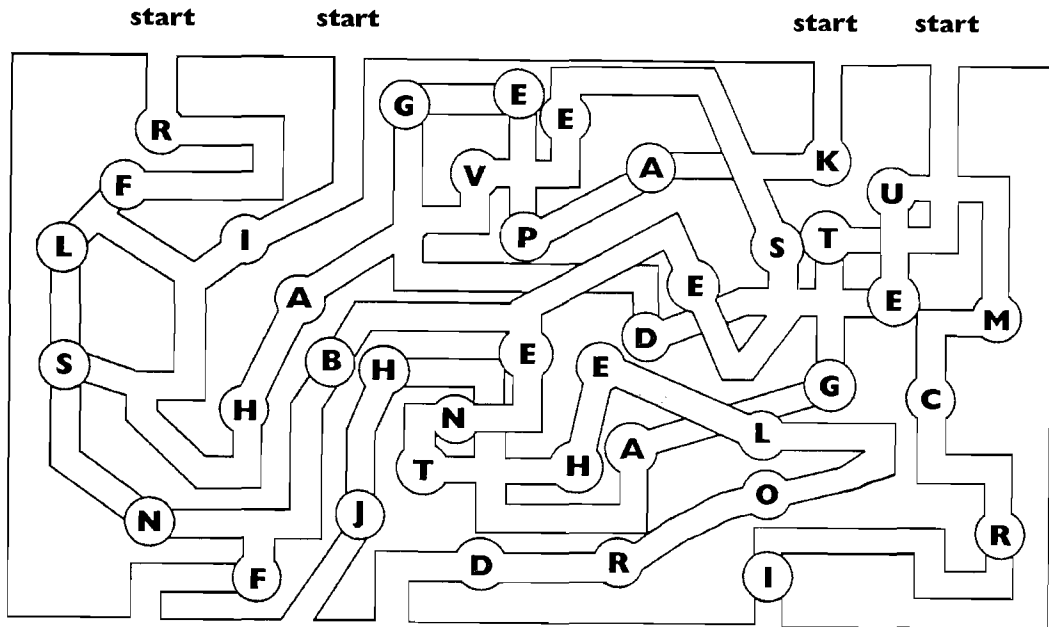
### Rutherford County Laity

The Rutherford County Laity Fellowship will meet Monday, March 25 at Smyrna UMC at 7:00 p.m.

Acts 10:34 spoken by Peter was the quote in the February newsletter.

## What Did Mary Say to the Disciples?

To find the answer, start at one of the openings. Make your way through the maze, writing the letters in the blanks as you pass them. If you run into a blocked path (line) you must start over at another opening (see John 20:18).



Answer:  
I have seen the Lord.



## March Calendar

Saturday, March 2:

7:00 a.m. Men's Breakfast

10:00 a.m. Choir Practice

Sunday, March 3:

3<sup>rd</sup> Sunday in Lent

8:45 a.m. Sunday School

9:15 a.m. Choir Practice

9:30 a.m. Worship Service

10:30 a.m. Choir Practice

Tuesday, March 5:

10:00 a.m. Bible Study

Wednesday, March 6:

6:30 p.m. Fellowship Supper

Saturday, March 9:

10:00 a.m. Choir Practice

Sunday, March 10:

4<sup>th</sup> Sunday in Lent

Daylight Saving Time begins

8:45 a.m. Sunday School

9:15 a.m. Choir Practice

9:30 a.m. Worship Service

10:30 a.m. Choir Practice

Tuesday, March 12:

10:00 a.m. Bible Study

Saturday, March 16:

10:00 a.m. Choir Practice

Sunday, March 17:

5<sup>th</sup> Sunday in Lent

8:45 a.m. Sunday School

9:15 a.m. Choir Practice

9:30 a.m. Worship Service

10:30 a.m. Choir Practice

Tuesday, March 19:

10:00 a.m. Bible Study

Wednesday, March 20:

9:30 a.m. Handwork Ministry  
at Kedron

Sunday, March 24:

6<sup>th</sup> Sunday in Lent

Passion/Palm Sunday

8:45 a.m. Sunday School

9:15 a.m. Choir Practice

9:30 a.m. Worship Service

10:30 a.m. Choir Practice

10:30 a.m. April newsletter  
information due

Tuesday, March 26:

10:00 a.m. Bible Study

Thursday, March 28:

6:30 p.m. Maundy Thursday  
Service at Kedron

Friday, March 29:

6:30 p.m. Good Friday  
Service at Lock's

Saturday, March 30:

9:30 a.m. Egg Hunt at  
Kedron

10:00 a.m. Choir Practice

Sunday, March 31:

Easter Day

6:30 a.m. Sunrise Service  
at Kedron

9:15 a.m. Choir Practice

9:30 a.m. Worship Service

CHRIST  
IS  
RISEN